


PRODUCT SHEET

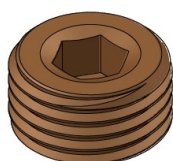
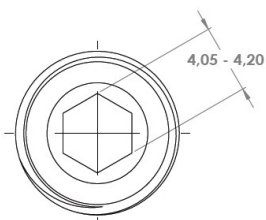
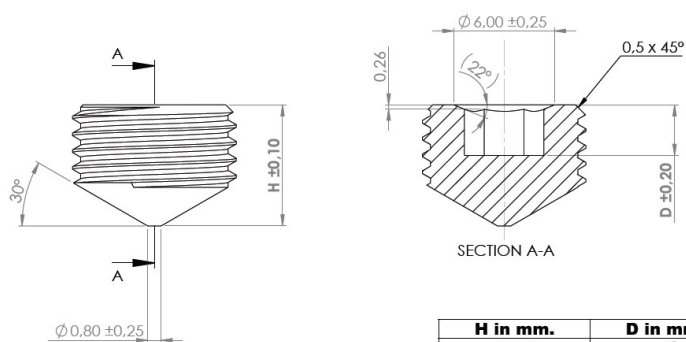
Description:

Grub Screw F/KD System S (1514), 10Mb x 7.5mm, W/4mm Hex,BZP

Item number:

11.03.593-0

Units	Box	Carton	HS Code	Barcode
Pcs.	1	7000	7318149199	
				5704866446631



SISO A/S

Mileparken 11
DK-2740 Skovlunde
Denmark
VAT: DK 24786013

Phone +45 45 830 900

www.siso.dk
siso@siso.dk

Danske Bank
Nytorv Branch
Copenhagen
SWIFT: DABADKKK

Account no.
4180 3112 112936
IBAN Account
DK7230003112112936